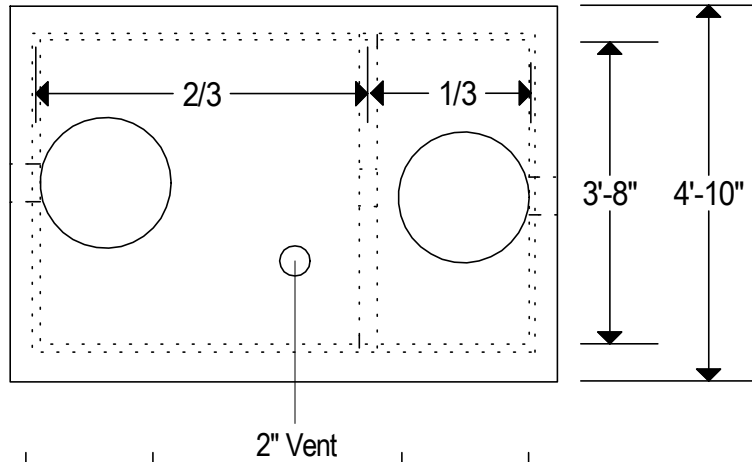
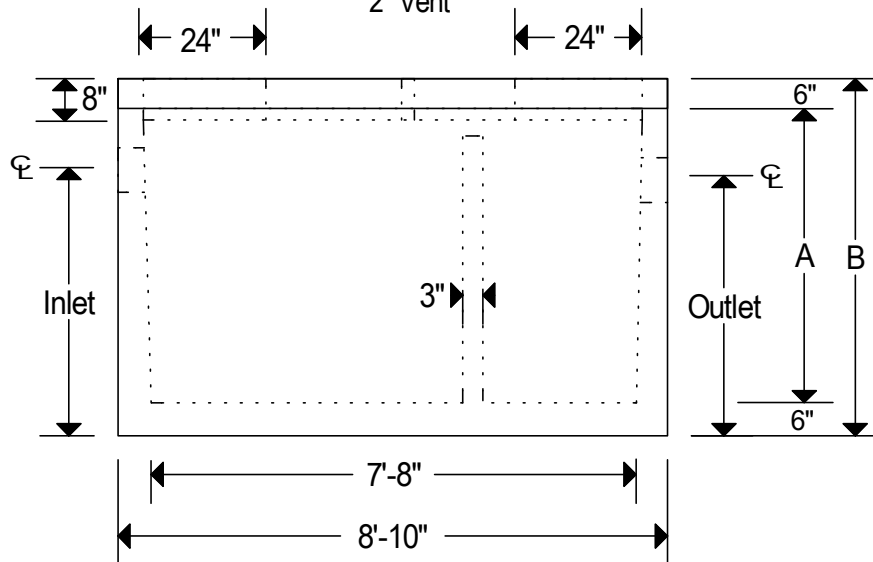


Plan



Elevation



Gallons	Inlet	Outlet	A	B	Weight-Box	Weight-Lid
500	41"	39"	3'-11"	4'-11"	11,700 lbs	4,300 lbs
800	59"	57"	5'-4"	6'-4"	15,000 lbs	4,300 lbs

Notes:

Reinforcing: Box 6 x 6 10/10 Wire Mesh.
 & Insert Cover #5 Rebar @ 12" O.C.E.W. & #5 Rebar Around Holes.
 Lifting Plan: Box Uses Lifting Anchors (PL66G)
 & Insert Cover Uses Wire Rope Anchors (PLLLLG)
 Monolithic Poured Floor. H-20 Loading.
 2- 4"/6" High Pressure Boots On Standard Inlet & Outlet
 And 1- 2" High Pressure Boot On Vent.
 Baffle Height & Location Are Per Local Code For Each Installation.
 Installation Of Pipe Should Also Be According To Local Code.
 Secondary Compartment Has A Volume Equal To 1/3 Of The Total Capacity.
 5,000 P.S.I. Minimum Strength Concrete.
 We Produce A Green And Environmentally Friendly Product.



500 & 800 Gallon Grease Interceptor
 Or Sand & Oil Interceptor
 No Scale Page 60