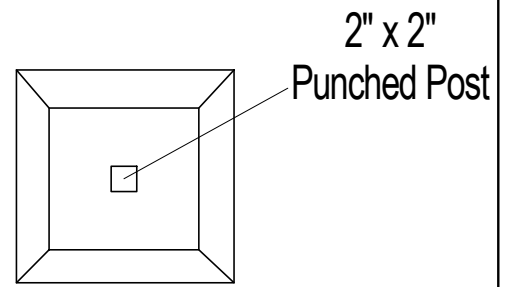
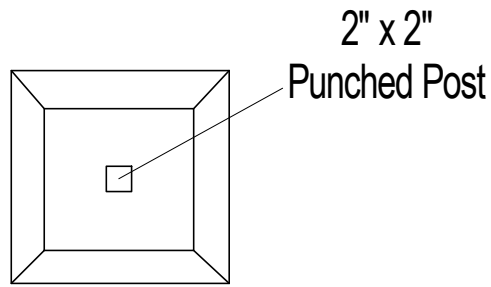
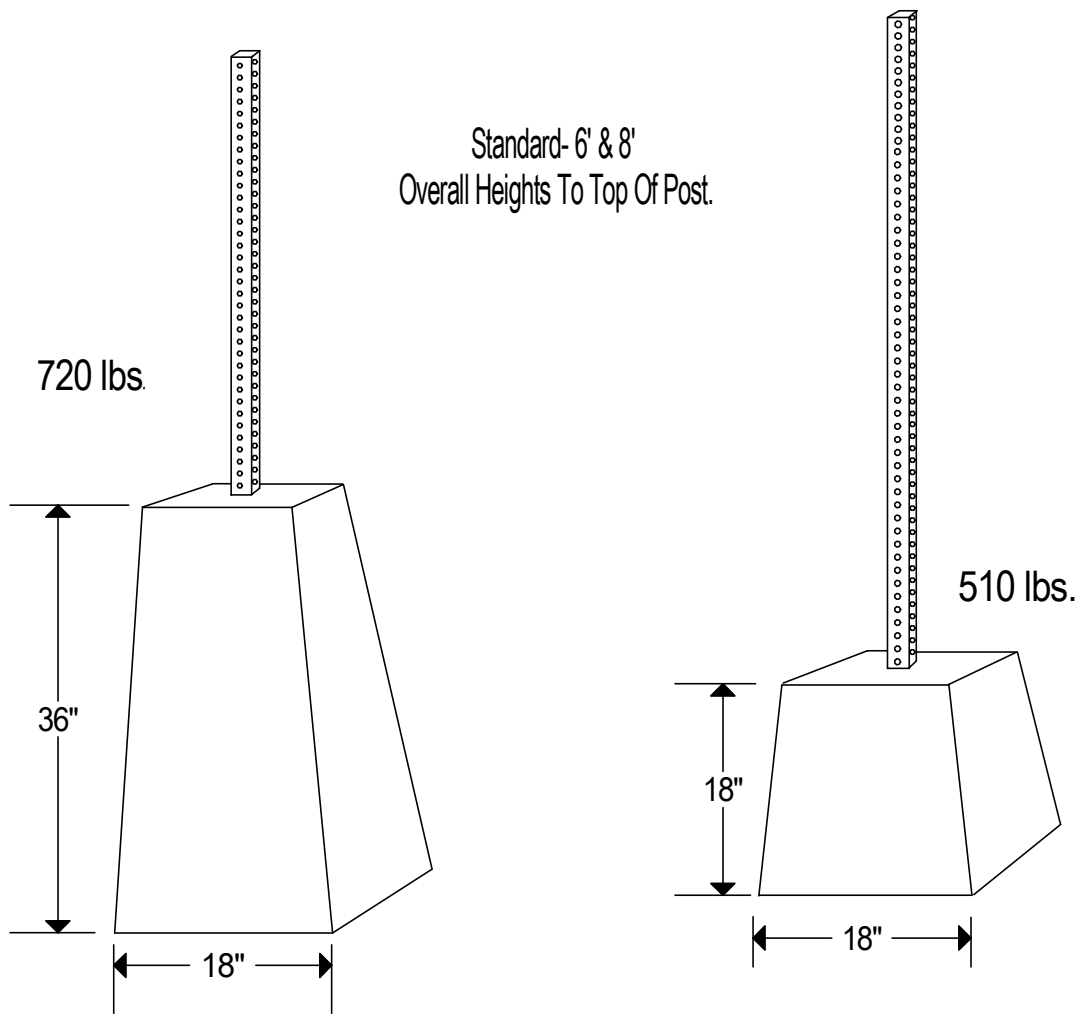


Plan



Elevation



Notes:

Can Be Used For Closing Off Parking Areas, Handicapped Parking Signs, Reserved Parking Spaces & Traffic Signs.  
5,000 P.S.I. Minimum Strength Concrete.  
We Produce A Green And Environmentally Friendly Product.

