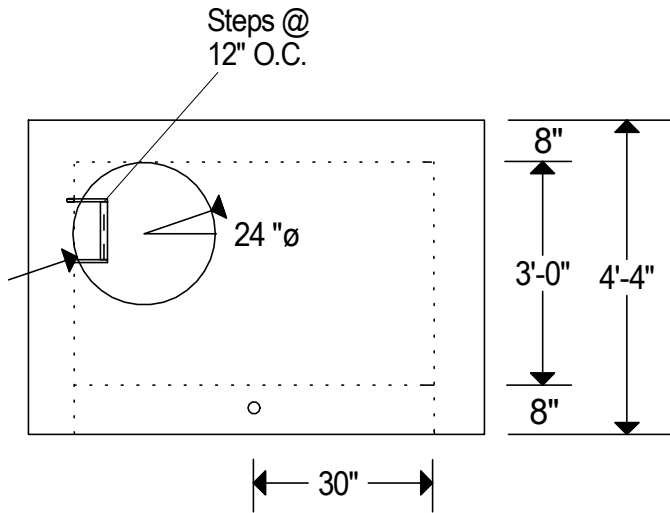
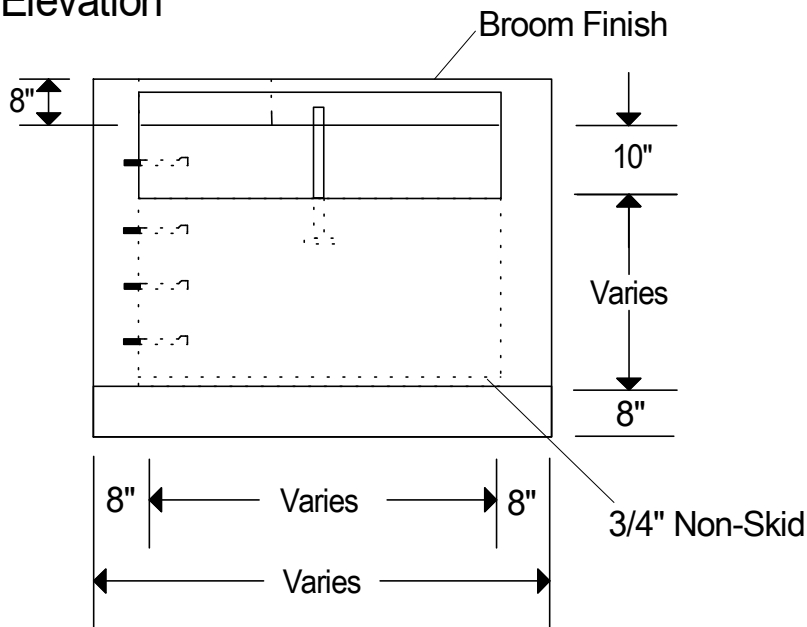


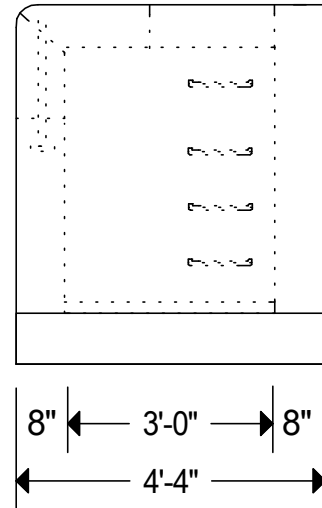
Plan



Elevation



Elevation Side View



Notes:

Reinforcing Per CDOT Standard M-604-12 Detail.

Weight: Varies By Length & Depth Of Inlet.

Lifting Plan: Walls Use 4 Utility Anchors (PL66G)
& Base Uses Utility Anchors (PL54G)

Stock Inlets Available.

Available In 5', 6', 9', 10', 12', 15' & 20' Lengths.

Steps For Heights Greater Than 2'-6".

5,000 P.S.I. Minimum Strength Concrete.

We Produce A Green And Environmentally Friendly Product.



Type "R" Curb Inlet
(Type 14)
No Scale Page 32