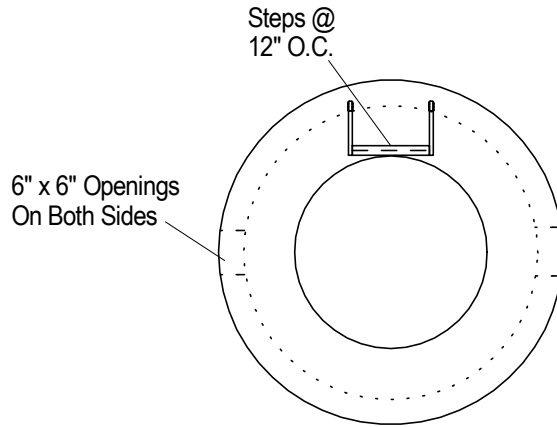
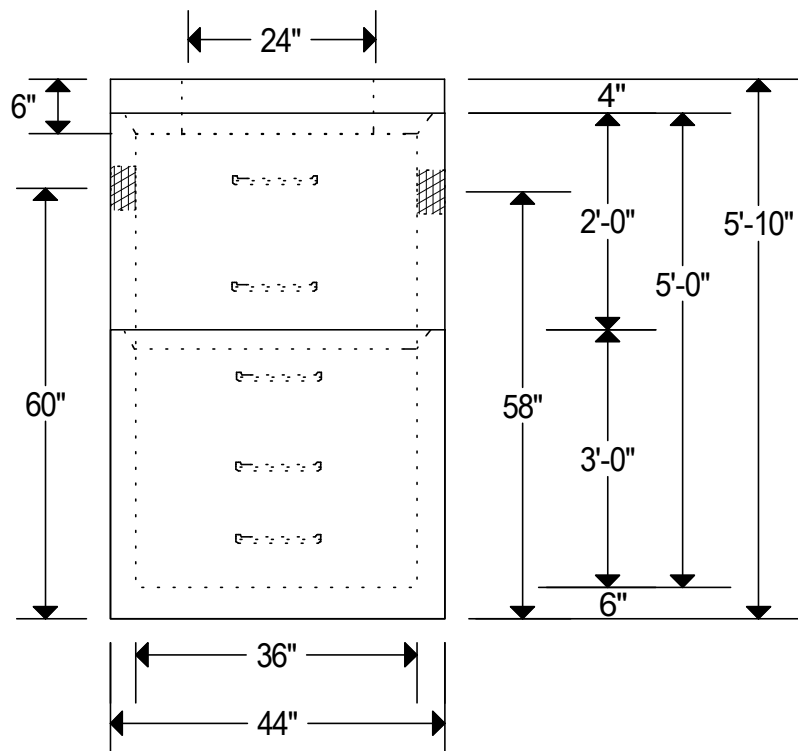


Plan



Elevation



Notes:

Reinforcing Meets ASTM C-478.

Weight: Bottom 1,900 lbs., Center Section 800 lbs. & Insert Cover 675 lbs.

Lifting Plan: Bottom & Center Use 3/4" Flared Ferrule Inserts (C1324516CW) & Cover Uses All Purpose Anchors (PLGP387G)

Comes Standard With Two 6" x 6" Openings.

5,000 P.S.I. Minimum Strength Concrete.

We Produce A Green And Environmentally Friendly Product.



303-936-4817

36" One Piece Sump Pit
With Insert Cover

No Scale

Page 14