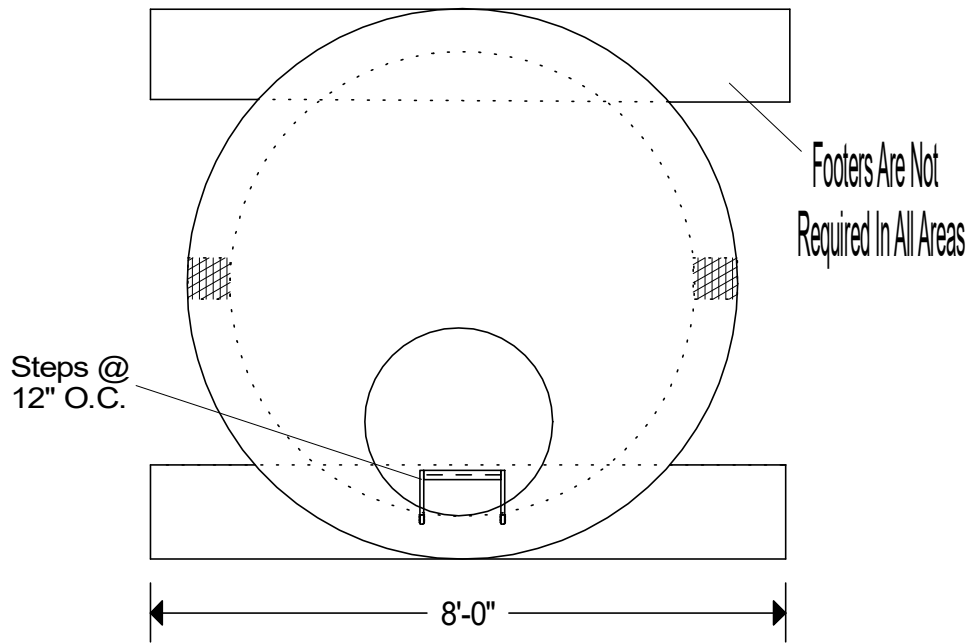
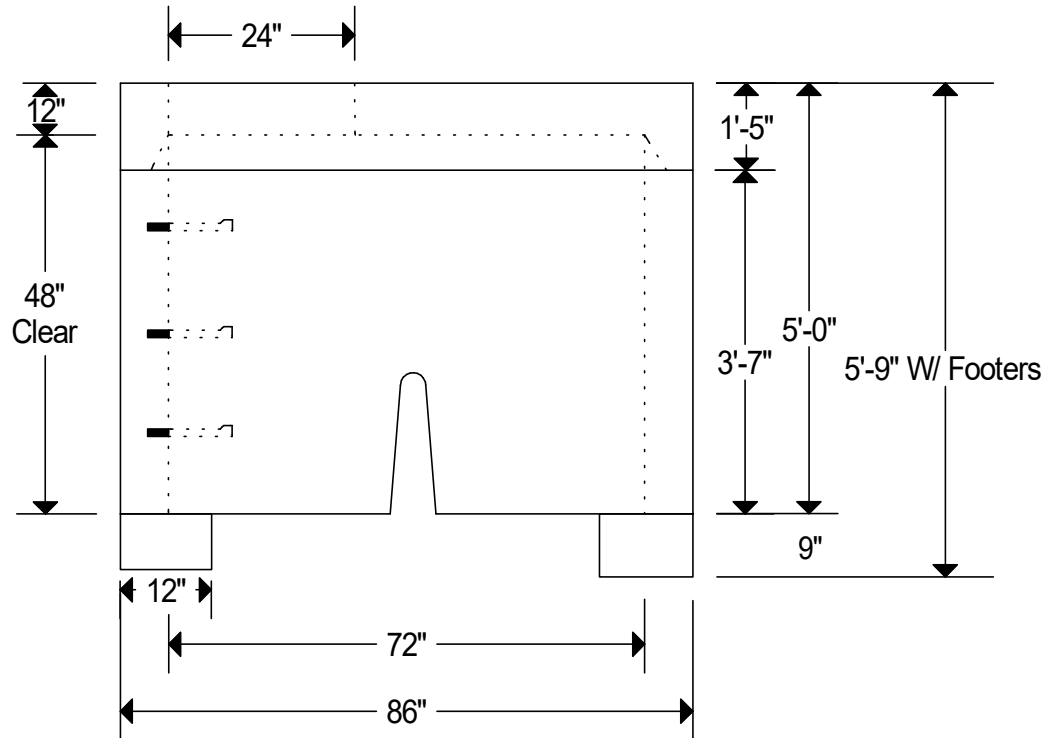


# Plan



# Elevation Side View



### Notes:

Reinforcing: Footers 2 - #4 Rebars Each, Bottom & Insert Cover Meet ASTM C-478.

Weight: Bottom 6,500 lbs. Insert Cover 6,700 lbs. & Footers 900 lbs. Each.

Lifting Plan: Footers Use Lifting Anchors (PL54G), Bottom Uses Lifting Anchors (PL66G), & Insert Cover Uses Wire Rope Anchors (PLLLLG).

Standard Water Meter Pit Includes 2 - 4" x 16" Slots.

5,000 P.S.I. Minimum Strength Concrete.

We Produce A Green And Environmentally Friendly Product.



72" x 48" Water Meter Pit

No Scale

Page 6