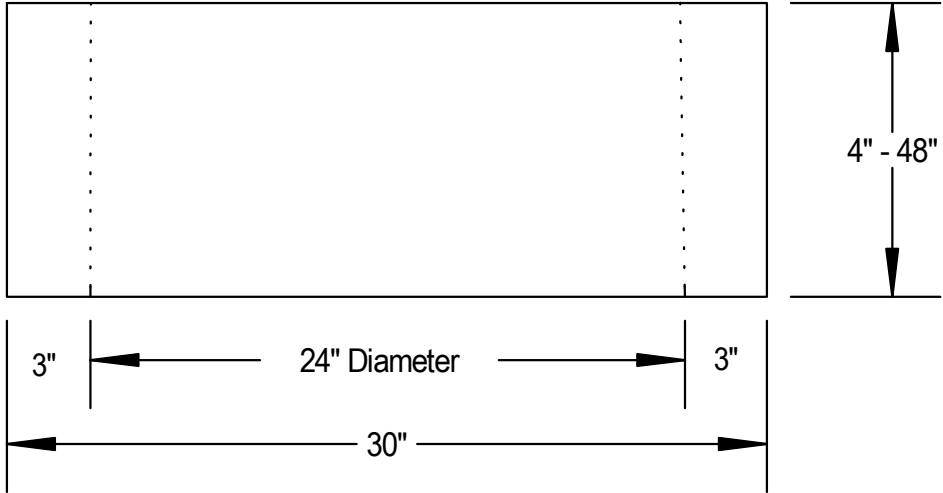


# Elevation



**Notes:**

Reinforced With 6 x 6 6/6 Wire Mesh.  
 Centered In Wall With 1 1/2" Clearance On Top & Bottom.  
 Weight: 270 lbs. Per Foot.  
 Available In Any Size From 4" Through 48" tall Risers.  
 Extensions With 3" Walls Are Rated For H-20 Loading, Low Impact,  
 Which Includes Driveways & Parking Areas But Not Roadways.  
 5,000 P.S.I. Minimum Strength Envirocore Concrete.  
 We Produce A Green And Environmentally Friendly Product.

**Model # 1163**

<p><b>Copeland Enterprises</b>  <b>904 South Lipan</b>  <b>Denver, CO 80223</b></p>	<p><b>24" Traffic Duty Risers</b></p> <p>No Scale <span style="float: right;">Page 9</span></p>
---	---