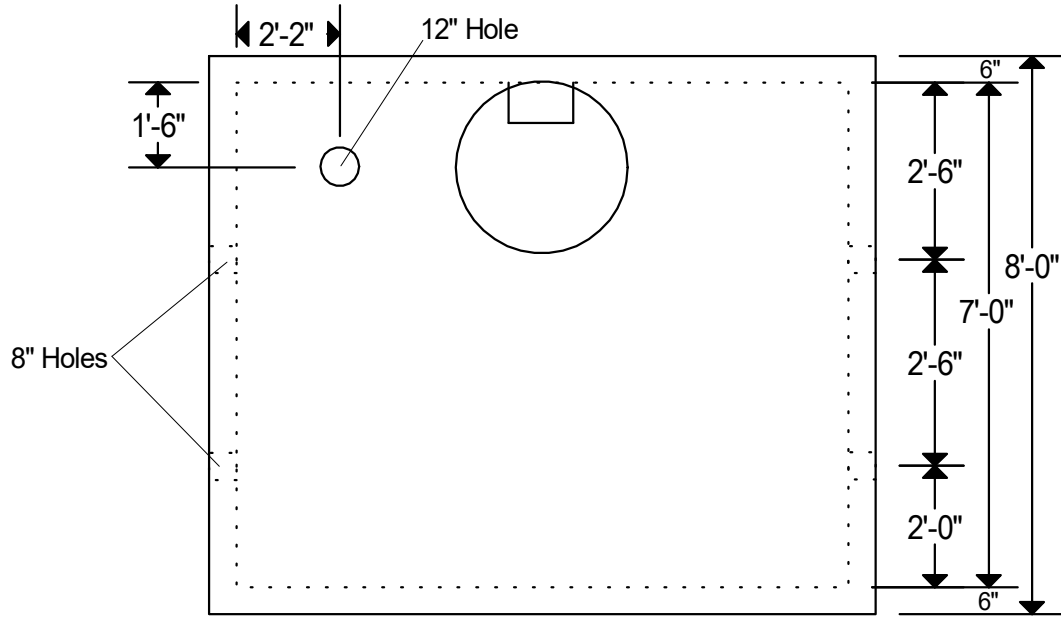
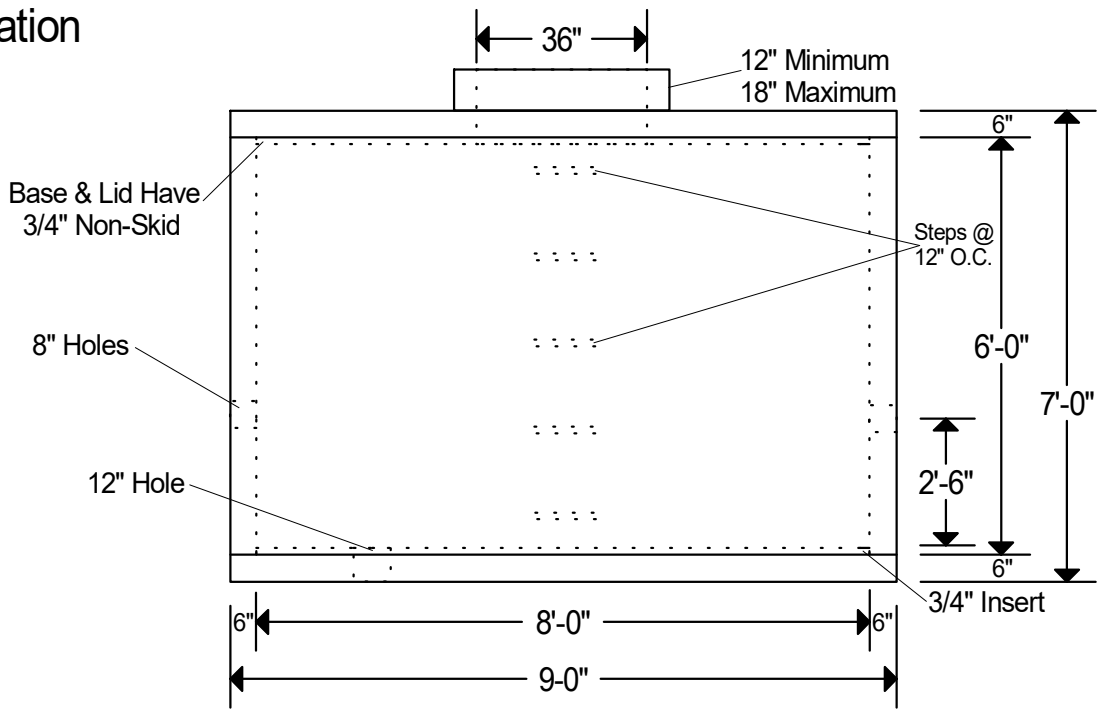


**Plan**



**Elevation**



**Notes:**

Weight: Walls 14,500 lbs Lid & Base: 6,100 lbs Each.

5,000 P.S.I. Minimum Strength Envirocore Concrete.

We Produce A Green And Environmentally Friendly Product.

Traffic H-20 Loading, Engineered Calculations Are Available Upon Request.

**Copeland Enterprises Inc.**  
 904 South Lipan  
 Denver, CO 80223

**4" & 6" Water Meter Vault**  
 No Scale Drawing Page 79