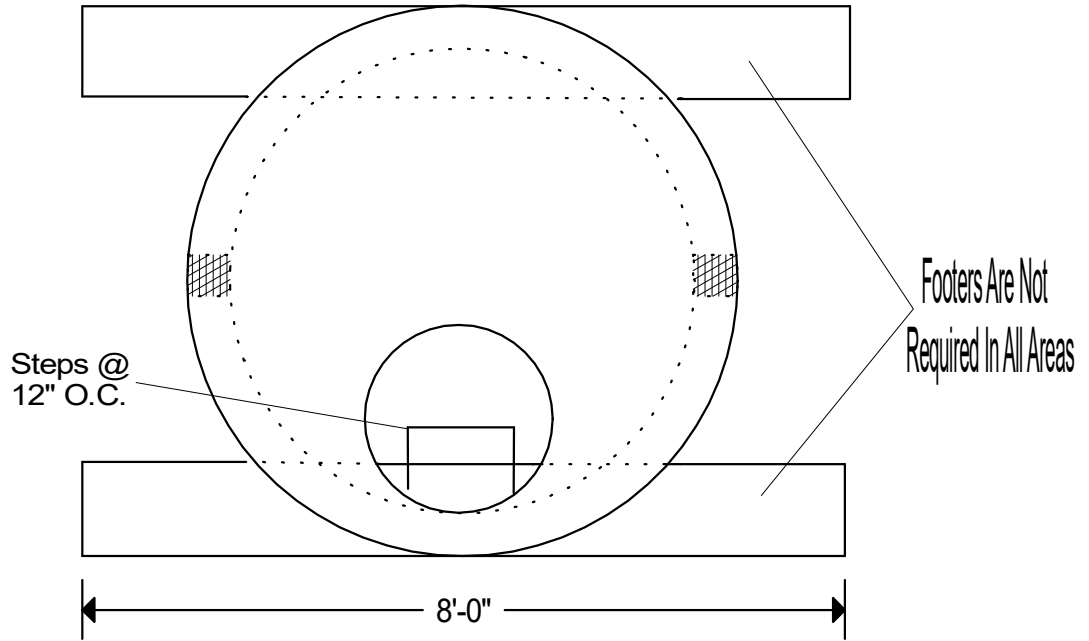
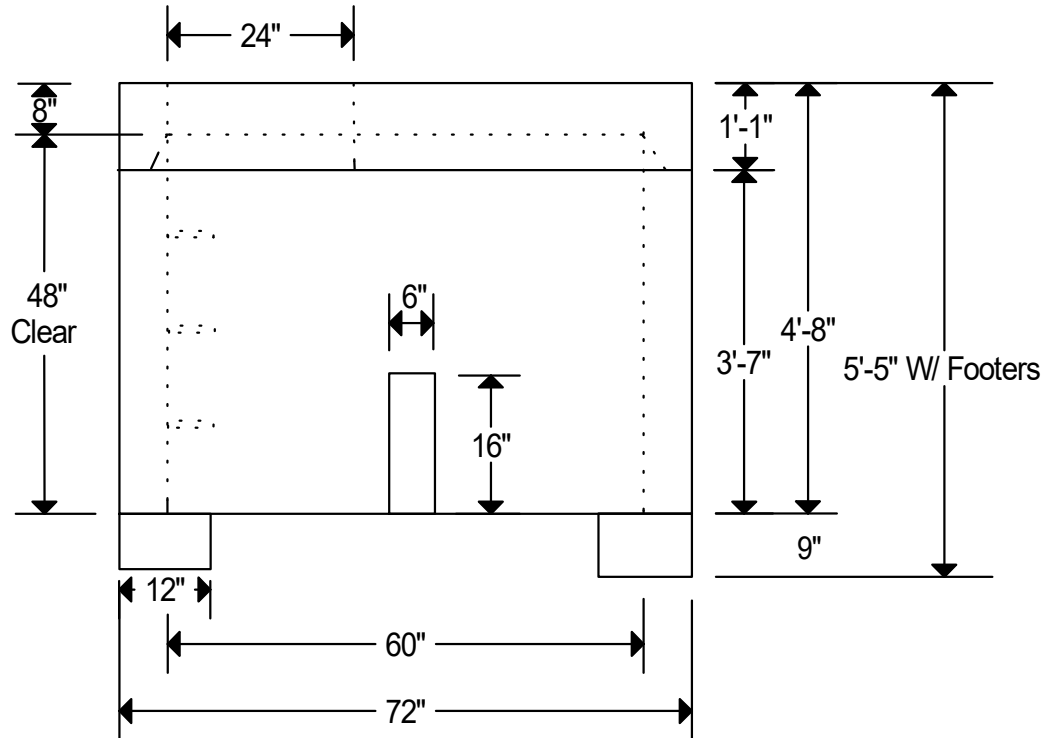


# Plan



# Elevation Side View



**Notes:**

Reinforcing: Footers 2 - #4 Rebars Each, Bottom & Insert Cover Meet ASTM C-478.

Weight: Bottom 5,200 lbs. Insert Cover 2,800 lbs. & Footers 900 lbs. Each.

Standard Water Meter Pit Comes With 2 - 6" x 16" Slots.

5,000 P.S.I. Minimum Strength Envirocore Concrete.

We Produce A Green And Environmentally Friendly Product.

Model # 12040 & 12060

**Copeland Enterprises Inc.**  
 904 South Lipan  
 Denver, CO 80223

**60" x 48" Water Meter Pit**

No Scale

Page 4