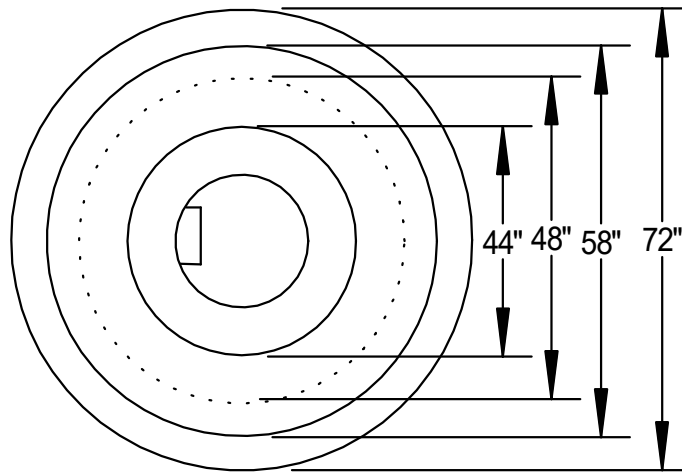
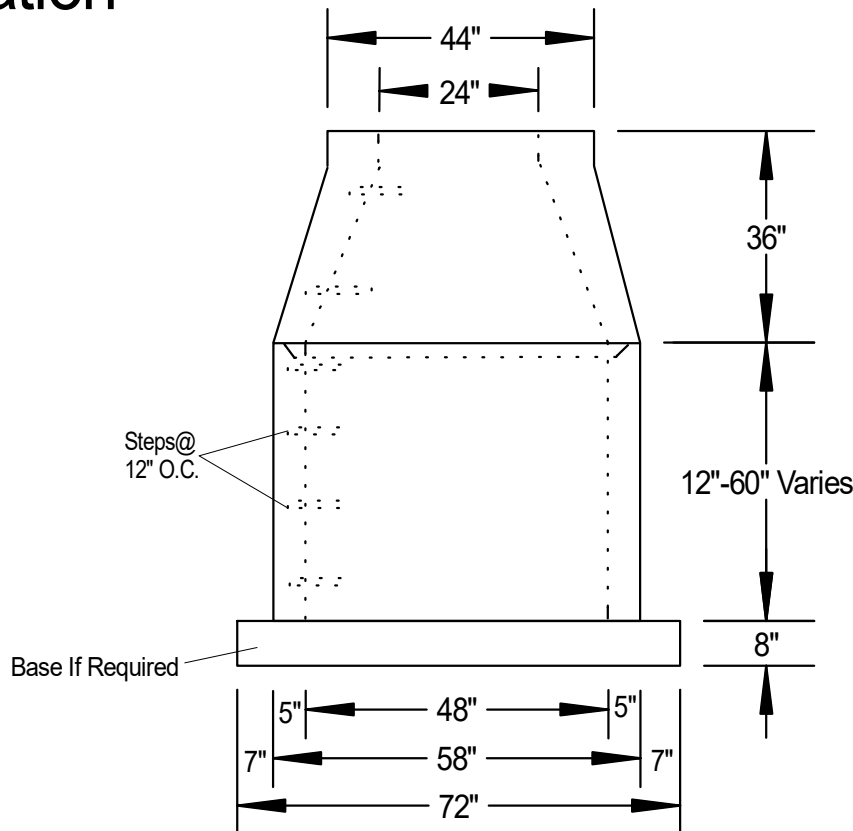


# Plan



# Elevation



**Notes:**

Reinforcing Meets ASTM C-478.

Weight: Walls 900lbs. Per Foot, Cone 2,500 lbs. & Base 2,800 lbs.

Lifting Plan: Use Utility Lifting Anchors (P-75)

Flat Top 48" x 8" Insert Covers Available.

Plastic Manhole Steps, Holes As Required And Rubber Boots Available.

5,000 P.S.I. Minimum Strength Envirocore Concrete.

We Produce A Green And Environmentally Friendly Product. Model # 11181

**Copeland Enterprises Inc.**  
 904 South Lipan  
 Denver, CO 80223

**48" ASTM Manhole Material**  
 W/ Concentric Cone  
 No Scale Page 28