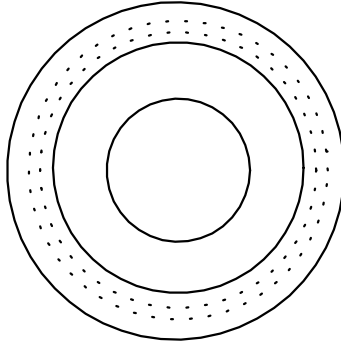
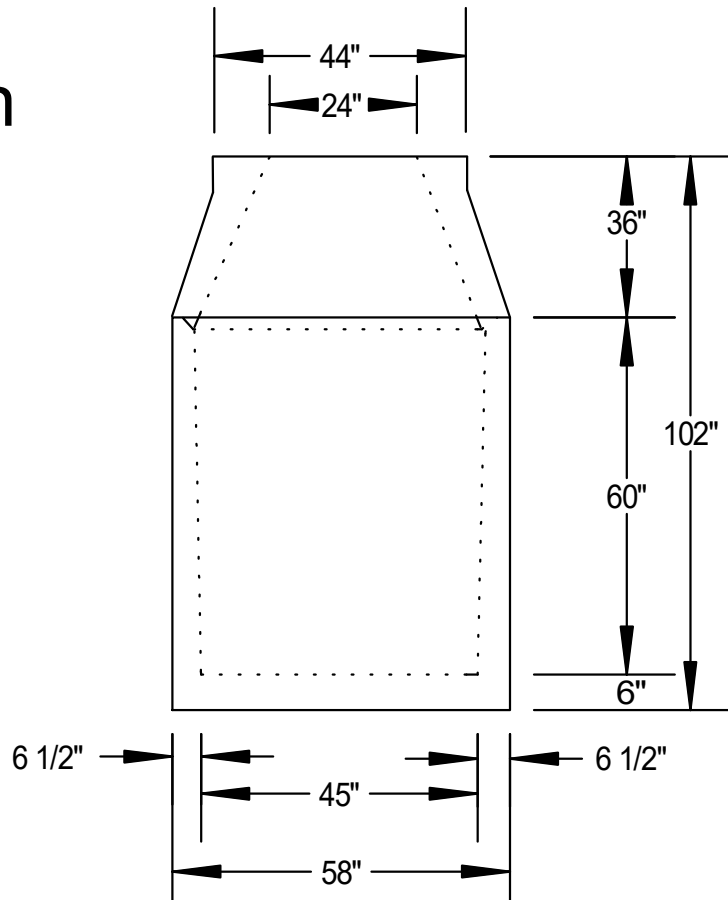


Plan



Elevation



Notes:

Reinforcing Meets ASTM C-478

Weight: Monolithic Bottom 7,500 lbs., Cone 2,500 lbs.

Lifting Plan: Bottom Use 3 Utility Lifting Anchors (P-75) & Cone 2 Utility Anchors (P-75)
5,000 P.S.I. Minimum Strength Envirocore Concrete.

We Produce A Green And Environmentally Friendly Product.

Model # 11120

Copeland Enterprises Inc.
904 South Lipan
Denver, CO 80223

48" Sump Pit
With 36" Cone
No Scale Page 18