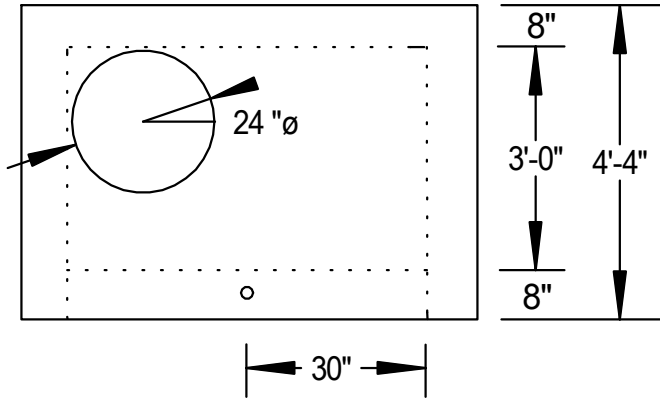
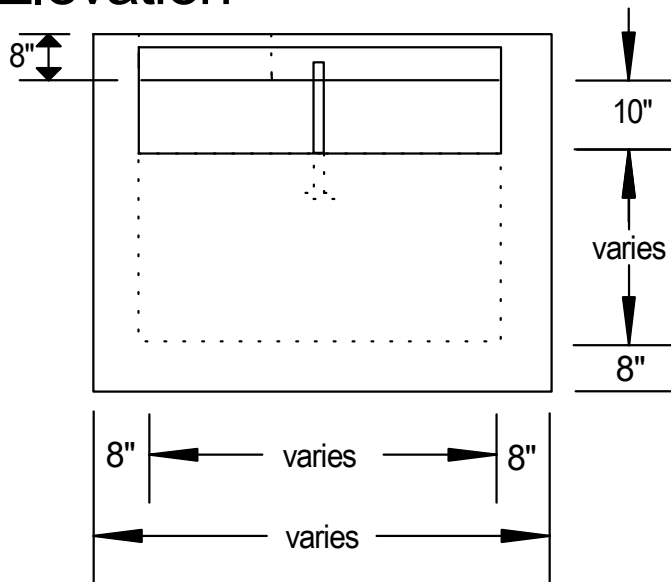


# Plan

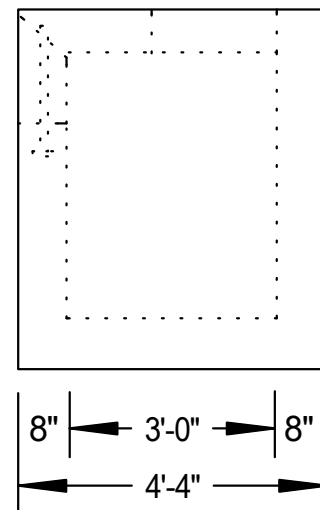


Call For Sizes  
And Prices

# Elevation



# Side



## Notes:

Reinforcing: Top With: #5 @ 5 1/2" O.C.E.W. Double #5 Around Opening.

Walls With: #4 Rebar @ 12" O.C. Vertical, #4 Rebar @ 9" O.C. Horizontal

& Base With: #4 Rebar @ 9" O.C.E.W.

Weight: 2500 lbs./ Ft. H-20 Loading.

Lifting Plan: Use 4 Utility Anchors (P-75).

All Inlets Are Made To Order For Your Job.

We Need To Know The Size, Location, & Invert Of Your Outlet Holes.

\* Available In Double & Triple Lengths.

Steps For Heights Greater Than 2'-6".

5,000 P.S.I. Minimum Strength Envirocore Concrete.

We Produce A Green And Environmentally Friendly Product. Model # 1475

Copeland Enterprises Inc.  
904 South Lipan  
Denver, CO 80223

Type "R" Curb Inlet  
(Type 14)  
No Scale Page 39