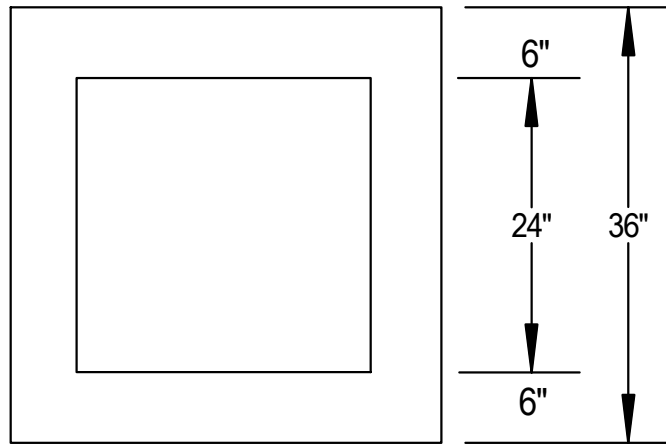
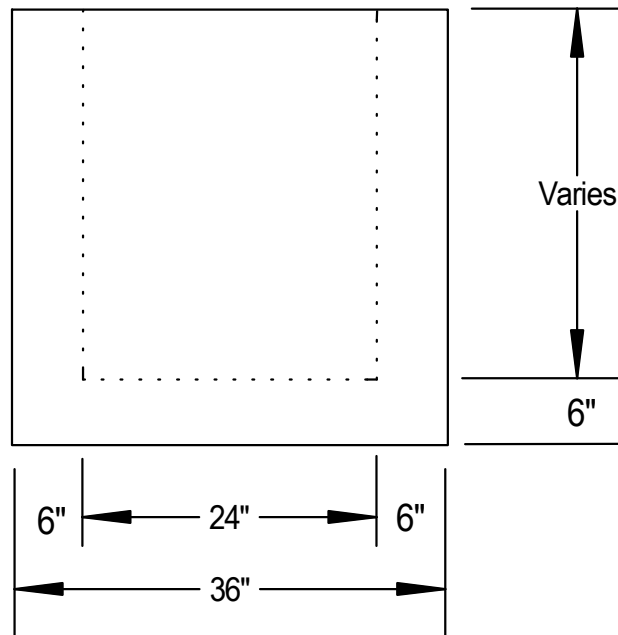


# Plan



# Elevation



### Notes:

Reinforced With #4 Rebar @ 8" O.C.E.W.

Weight: 2,200 lbs. (24" Depth) H-20 Loading.

Lifting Plan: Use 2 Utility Anchors (P-75).

All Inlets Are Made To Order For Your Job.

We Need To Know The Size, Location & Invert Of Your Outlet Holes.

5,000 P.S.I. Minimum Strength Envirocore Concrete.

We Produce A Green And Environmentally Friendly Product.

Model # 1500

Copeland Enterprises, Inc.  
904 South Lipan  
Denver, CO 80223

## #11 Area Inlet

No Scale

Page 37